

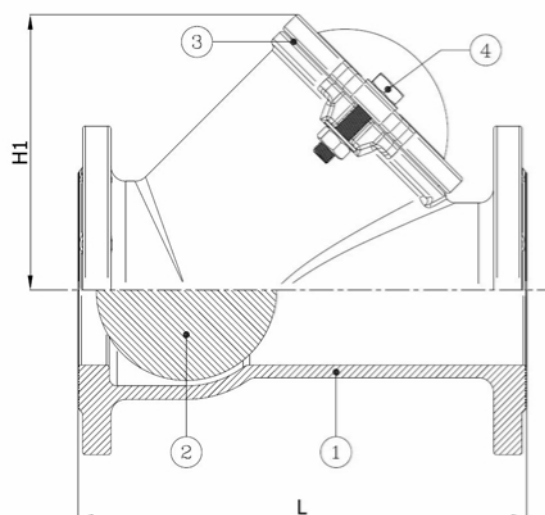
BV41AQ-3444B-PN16

Ball check valve, flanged PN16 with sinking ball

Face to Face Standard: EN 558-1 series 48



Item Number	Belven Ref
41A3445B0040	BV41AQ-3444B-PN16 DN040
41A3445B0050	BV41AQ-3444B-PN16 DN050
41A3445B0065	BV41AQ-3444B-PN16 DN065
41A3445B0080	BV41AQ-3444B-PN16 DN080
41A3445B0100	BV41AQ-3444B-PN16 DN100
41A3445B0125	BV41AQ-3444B-PN16 DN125
41A3445B0150	BV41AQ-3444B-PN16 DN150
41A3445B0200	BV41AQ-3444B-PN16 DN200



DN/Size	H1	L	Press.Cl.	Weight(kg)
DN40 (1 1/2")	85	180	PN16	6.00
DN50 (2")	100	200	PN16	7.00
DN65 (2 1/2")	125	240	PN16	10.50
DN80 (3")	136	260	PN16	11.90
DN100 (4")	185	300	PN16	17.40
DN125 (5")	196	350	PN16	22.50
DN150 (6")	265	400	PN16	37.50
DN200 (8")	340	500	PN16	68.50

Item 1	Item 2	Item 3	Item 4
<i>Body Material</i>	<i>Ball Material</i>	<i>Gasket Material</i>	<i>Material Fasteners</i>
Ductile iron : GGG50 + Epoxy coating	Steel covered with NBR rubber	EPDM	Stainless steel : AISI 304

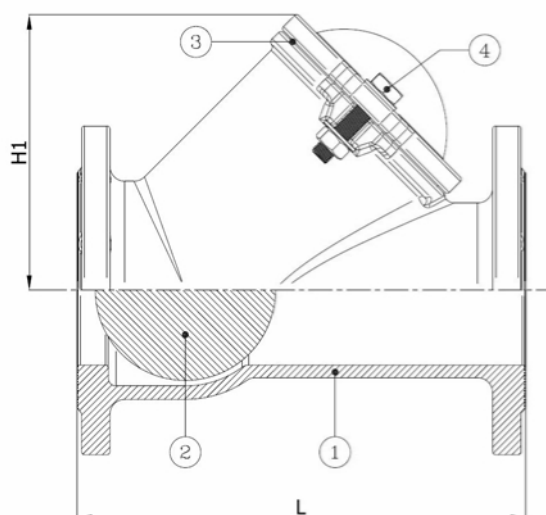
BV41AQ-3444B-PN10

Ball check valve, flanged PN10 with sinking ball

Face to Face Standard: EN 558-1 series 48



Item Number	Belven Ref
41A2445B0200	BV41AQ-3444B-PN10 DN200
41A2445B0250	BV41AQ-3444B-PN10 DN250
41A2445B0300	BV41AQ-3444B-PN10 DN300
41A2445B0350	BV41AQ-3444B-PN10 DN350
41A2445B0400	BV41AQ-3444B-PN10 DN400



DN/Size	H1	L	Press.Cl.	Weight(kg)
DN200 (8")	340	500	PN10	72.00
DN250 (10")	420	600	PN10	102.00
DN300 (12")	480	700	PN10	180.00
DN350 (14")	617	800	PN10	237.00
DN400 (16")	680	900	PN10	294.50

Item 1	Item 2	Item 3	Item 4
<i>Body Material</i>	<i>Ball Material</i>	<i>Gasket Material</i>	<i>Material Fasteners</i>
Ductile iron : GGG50 + Epoxy coating	Steel covered with NBR rubber	EPDM	Stainless steel : AISI 304

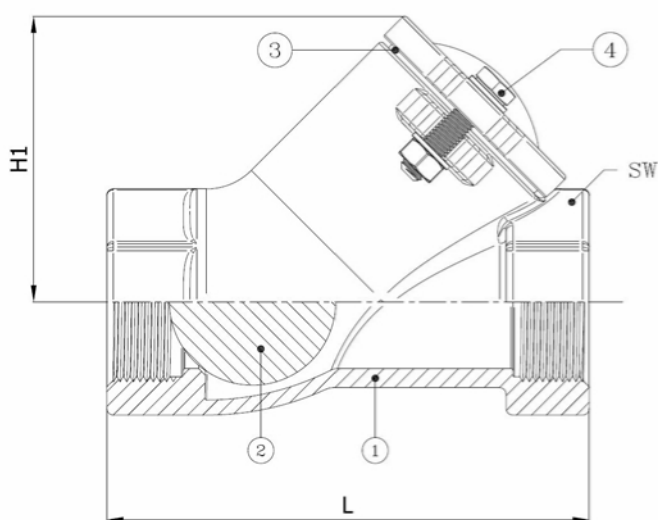
BV41AQ-3444B-BSP

Ball check valve, threaded F/F ISO228/1-G with sinking ball

Face to Face Standard: Factory standard



Item Number	Belven Ref
41A3244B0032	BV41AQ-3444B-BSP - 1 1/4"
41A3244B0040	BV41AQ-3444B-BSP - 1 1/2"
41A3244B0050	BV41AQ-3444B-BSP - 2"
41A3244B0065	BV41AQ-3444B-BSP - 2 1/2"
41A3244B0080	BV41AQ-3444B-BSP - 3"



DN/Size	H1	L	SW	Press.Cl.	Weight(kg)
DN32 (1 1/4")	72	135	50	PN16	1.70
DN40 (1 1/2")	85	145	60	PN16	1.80
DN50 (2")	100	175	70	PN16	2.90
DN65 (2 1/2")	125	200	90	PN16	5.00
DN80 (3")	160	248	108	PN16	7.50

Item 1	Item 2	Item 3	Item 4
Body Material	Ball Material	Gasket Material	Material Fasteners
Ductile iron : GGG50 + Epoxy coating	Steel covered with NBR rubber	NBR	Stainless steel : AISI 304